



ResiBoost

RESIBOOST IS A VARIABLE FREQUENCY DRIVE FOR CONSTANT PRESSURE SYSTEMS. RESIBOOST AUTOMATICALLY CONTROLS THE SPEED OF THE PUMP WHILE KEEPING THE PRESSURE IN THE SYSTEM CONSTANT

The ResiBoost allows a constant set pressure regardless of demand for maximum comfort. Energy savings are the result of the precise speed control.

The ResiBoost is specially designed for maintaining constant pressure independent of flow for maximum comfort. Energy savings is the result of the precise speed control. Top quality components guarantee high reliability and a trouble-free life. The inverter has inbuilt protection against various system and electrical faults. Smooth operation and soft starting ensure silent running and an extended pump life. With pipe or wall mounted versions together with ready built, the quick set up means easy installation.

Pipe mounted version:

Turns a fixed speed pump to a variable speed

Easy to setup and operate, just select the required pressure "Plug and Play"

Built in dry run protection

Compact design

Built in pressure transducer with digital indicator

Control and panel with LCD display

Stored information of operated hours, number of starts, connections to the power supply, register of alarms

Built in protection of over current, incorrect supply voltage and short circuit

Anti - Icing protection >> just for water cooled version

IP55

Technical Features: Pipe mounted

	09MM	12MM	06MT	10MT
Power Supply Voltage	1 x 230V	1 x 230V	1 x 230V	1 x 230V
Frequency	50/60 Hz	50/60 Hz	50/60 Hz	50/60 Hz
Output	1 x 230V	1 x 230V	3 x 230V	3 x 230V
Max Current	9 A	12 A	6 A	10 A
Max Operating pressure	10 Bar	10 Bar	10 Bar	10 Bar
Range of set pressure	0-5 to 8 Bar	0-5 to 8 Bar	0-5 to 8 Bar	0-5 to 8 Bar
Protection Index	IP 55	IP 55	IP 55	IP 55
Max water Temp	40°C	40°C	40°C	40°C
Net Weight	2.5 kg	2.5 kg	2.5 kg	2.5 kg
S/D Threads (Male)	1 ¼"	1 ¼"	1 ¼"	1 ¼"
Max Flow	10 m³/h	10 m³/h	10 m³/h	10 m³/h



Wall mounted Variable speed pump driver. Single or three phase pumps.

Wall mounted version:

Control and information panel with LCD screen

Cooling by natural or forced convection depending on model

Aluminum heat exchanger

4-20 mA, 0-10 Bar External pressure transducer supplied (0-16 bar supplied as option)

Stored information of operated hours, number of starts, connections to the power supply, register of alarms

Automatic restore system in case of power supply failure

Built in dry run protection

Electronic input for detection of water level in tank, this system is independent of the dry run protection

IP54

Technical Features: Wall mounted

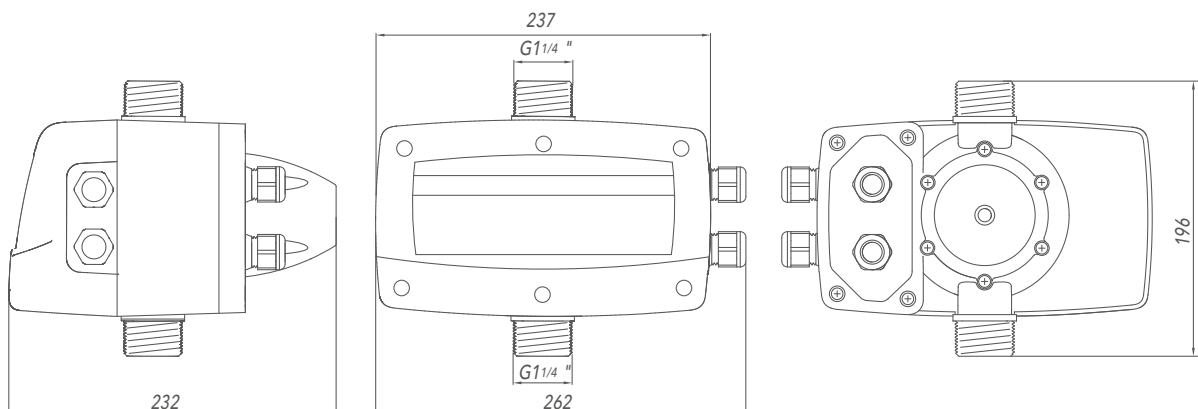
	1106	1112	1006	1010
Power Supply Voltage	1 x 230V	1 x 230V	1 x 230V	1 x 230V
Frequency	50/60 Hz	50/60 Hz	50/60 Hz	50/60 Hz
Output	1 x 230V	1 x 230V	3 x 230V	3 x 230V
Max Current	6 A	12 A	6 A	10 A
Range of set pressure	0-5 to 16 Bar	0-5 to 16 Bar	0-5 to 16 Bar	0-5 to 16 Bar
Protection Index	IP 54	IP 54	IP 54	IP 54
Max Environmental Temp	50°C	50°C	50°C	50°C
Net Weight	3 kg	3.5 kg	4 kg	4.5 kg



Function	Description	
ResiBoost Inverter Model	MMW09	MTW10
Rated Power Input (Uin)	1x230V -20% +10%	1x230V -20% +10%
Rated Power Output of Motor (Uout)	0 to 1xUin	0 to 3xUin
Rated Input Frequency	48 to 62 Hz	48 to 62 Hz
Max Output Frequency	50Hz	50Hz
Rated Current supplied to the Motor** (Uout = 230v)	9A	10A
Max Inverter Input Current (Uin = 230V)	9.5A	20A
Recommended Line Protection ****	13A	25A
Overcurrent	20%, 10 sec max	20%, 10 sec max
Consumption in Standby	4W	4W
Rated Output	≥93%	≥93%
IP Protection	IP55	IP55
Max Power cable Section	2.5 mm ²	2.5 mm ²
Setpoint Pressure	0.0 to 8.0 bar	0.0 to 8.0 bar
Ambient Temperature	0 to 40°C	0 to 40°C
Pumped Liquid	Clean water without chemical or suspended solids	Clean water without chemical or suspended solids
Protection Fuse	16A	20A
Cooling	System Fluid	System Fluid

Sizes (ResiBoost, Pipe Mount)

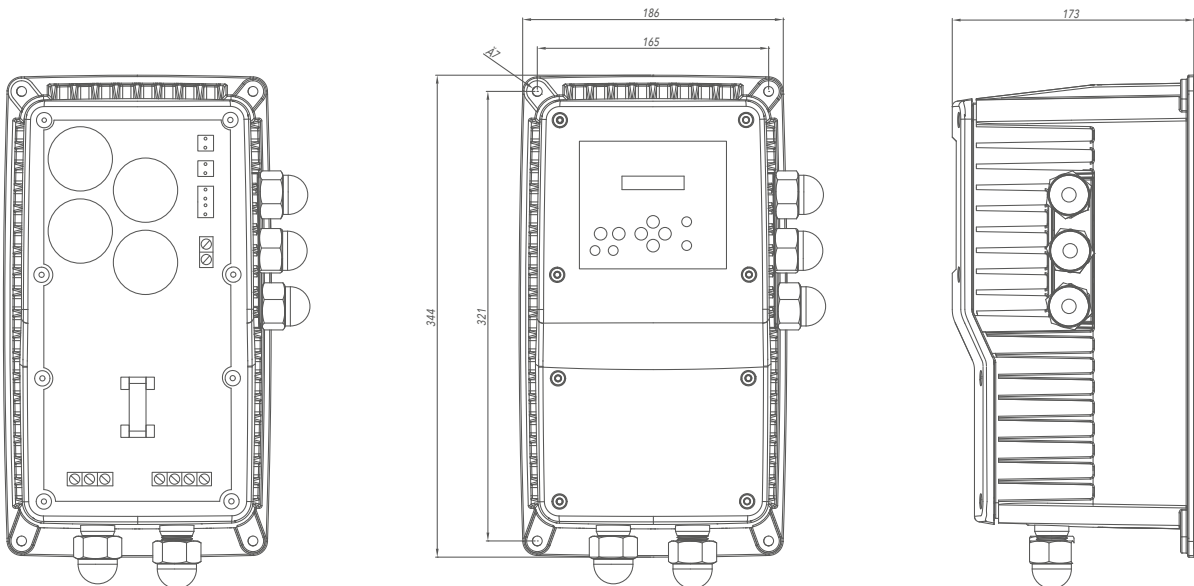
Model	MMW09	MTW10
KG	2,9	2,9
b1 (mm)	232	263
b2 (mm)	263	263
b3 (mm)	R 1¼"	R 1¼"
b4 (mm)	238	238
b5 (mm)	195	195



Function	Description			
ResiBoost Inverter Model	MMA06	MMA12	MTA06	MTA10
Rated Power Input (Uin)	1x230V -20% +10%	1x230V -20% +10%	1x230V -20% +10%	1x230V -20% +10%
Rated Power Output of Motor (Uout)	0 to 1xUin	0 to 1xUin	0 to 3xUin	0 to 3xUin
Rated Input Frequency	48 to 62 Hz	48 to 62 Hz	48 to 62 Hz	48 to 62 Hz
Max Output Frequency	50Hz	50Hz	50Hz	50Hz
Rated Current supplied to the Motor** (Uout = 230v)	6A	12A	6A	10A
Max Inverter Input Current (Uin = 230V)	6.3A	12.6A	12A	20A
Recommended Line Protection ****	13A	16A	16A	25A
Overcurrent	20%, 10 sec max	20%, 10 sec max	20%, 10 sec max	20%, 10 sec max
Consumption in Standby	4W	4W	4W	4W
Rated Output	≥93%	≥93%	≥93%	≥93%
IP Protection	IP54	IP54	IP54	IP54
Max Power cable Section	2.5 mm ²	2.5 mm ²	2.5 mm ²	2.5 mm ²
Setpoint Pressure	0.0 to 10 bar	0.0 to 10 bar	0.0 to 10 bar	0.0 to 10 bar
Ambient Temperature	0 to 50°C	0 to 50°C	0 to 50°C	0 to 50°C
Pumped Liquid	N/A	N/A	N/A	N/A
Protection Fuse	10A	16A	16A	20A
Cooling	Natural Air	Forced Air	Forced Air	Forced Air

Sizes (ResiBoost, Wall Mount)

Model	MMA06	MTA06	MMA12	MTA10
KG	4,6	4,6	4,6	4,6
b1 (mm)	165	165	165	165
b2 (mm)	189	189	189	189
b3 (mm)	320	320	320	320
b4 (mm)	346	346	346	346
b5 (mm)	220	220	220	220
b6 (mm)	170	170	170	170
b7 (mm)	154	154	154	154
c1 (mm)	7mm	7mm	7mm	7mm



Find your ResiBoos

VM

The VM is a vertical multistage comes with a cast iron body with female threaded inlet and outlet ports, 304 stainless steel sleeve and impellers made in Noryl. These pumps are close-coupled design and are equipped with non-standard IE3 Lowara motors. The VM are highly modular pumps that are fitted with an innovative hydraulic design that secures high efficiency performances and an increased Mean Time between Failures.

Flow up to: 7.2 m³/h (water cooled),
14 m³/h (air cooled)

Head up to: 70 m (water cooled),
96 m (air cooled)



e-HM™

Our e-HM series is a modern highly efficient horizontal multistage pump with best in class efficiency and IE3 motors fitted as standard. The pump housing is available in 304 or 316 stainless steel and impellers have a choice in either Noryl, 304 or 316 stainless steel.

Flow up to: 7.2 m³/h (water cooled),
14 m³/h (air cooled)

Head up to: 70 m (water cooled and air cooled)

t solution.

Scuba

Multi-impeller submersible pump with the liquid end located underneath the motor which is cooled by the pumped liquid. The motor is protected by a double seal system with an oil chamber guaranteeing long lasting reliability. The techno polymer impellers and AISI 304 stainless steel body ensure superior performances and maximum operational efficiency. Can also be operated in a horizontal position.

Flow up to: 7,5 m³/h

Head up to: 85 m
(air cooled)



BG

Close-coupled self-priming centrifugal pumps with built-in ejector system, designed to remain primed even in the presence of water-dissolved gases. The extensive use of pressed stainless steel ensures a high-performance, durable and lightweight pump.

Flow up to: 4,2 m³/h

Head up to: 53 m



e-GS

Premium efficiency pumps and motors compliant with the ErP directive. Abrasion resistant construction combined with floating impellers ensuring optimum resistance to wear making this one of the best on the market for sand handling capabilities. The unit has a stainless steel structure with a built in non-return valve and cable guard attachment, the upper and lower supports are made of precision-cast stainless steel.

Flow up to: 15 m³/h (air cooled)


Head up to: 160 m (air cooled)


Plug and pump solutions

Pre-assembled packages composed by a premium efficiency Lowara pump and a Resiboost drive for the quickest and easiest installation.

PUMP	INPUT/OUTPUT	PART NUMBER	DESCRIPTION		
e-HM	M/M	1005602001	RESIBOOST MMW09DE/1HM03P05		
		1005602001U	RESIBOOST MMW09UK/1HM03P05		
		1005602002	RESIBOOST MMW09DE/1HM04P05		
		1005602002U	RESIBOOST MMW09UK/1HM04P05		
		1005602003	RESIBOOST MMW09DE/1HM05P05		
		1005602003U	RESIBOOST MMW09UK/1HM05P05		
		1005602004	RESIBOOST MMW09DE/1HM06P07		
		1005602004U	RESIBOOST MMW09UK/1HM06P07		
		1005602006	RESIBOOST MMW09DE/3HM03P05		
		1005602006U	RESIBOOST MMW09UK/3HM03P05		
		1005602007	RESIBOOST MMW09DE/3HM04P05		
		1005602007U	RESIBOOST MMW09UK/3HM04P05		
		1005602008	RESIBOOST MMW09DE/3HM05P07		
		1005602008U	RESIBOOST MMW09UK/3HM05P07		
		1005602009	RESIBOOST MMW09DE/3HM06P09		
		1005602009U	RESIBOOST MMW09UK/3HM06P09		
		1005602010	RESIBOOST MMW09DE/5HM02P05		
		1005602010U	RESIBOOST MMW09UK/5HM02P05		
		1005602011	RESIBOOST MMW09DE/5HM03P05		
		1005602011U	RESIBOOST MMW09UK/5HM03P05		
		1005602012	RESIBOOST MMW09DE/5HM04P07		
		1005602012U	RESIBOOST MMW09UK/5HM04P07		
		1005602013	RESIBOOST MMW09DE/5HM05P09		
		1005602013U	RESIBOOST MMW09UK/5HM05P09		
		1005602015	RESIBOOST MMW09DE/10HM02P11		
		1005602015U	RESIBOOST MMW09UK/10HM02P11		
		1005602016	RESIBOOST MMW09DE/10HM03P15		
		1005602016U	RESIBOOST MMW09UK/10HM03P15		
		M/T	M/T	1005605000	RESIBOOST MTW10C/1HM02P03
				1005605001	RESIBOOST MTW10C/1HM03P03
				1005605002	RESIBOOST MTW10C/1HM04P04
				1005605003	RESIBOOST MTW10C/1HM05P05
				1005605004	RESIBOOST MTW10C/1HM06P07
1005605005	RESIBOOST MTW10C/3HM02P03				
1005605006	RESIBOOST MTW10C/3HM03P04				
1005605007	RESIBOOST MTW10C/3HM04P05				
1005605008	RESIBOOST MTW10C/3HM05P07				
1005605010	RESIBOOST MTW10C/5HM02P04				
1005605011	RESIBOOST MTW10C/5HM03P05				
1005605012	RESIBOOST MTW10C/5HM04P11				
1005605013	RESIBOOST MTW10C/5HM05P11				
1005605015	RESIBOOST MTW10C/10HM02P11				
1005605016	RESIBOOST MTW10C/10HM03P15				



PUMP	INPUT/OUTPUT	PART NUMBER	DESCRIPTION	
VM 	M/M	1005602207	RESIBOOST MMW09DE/1VM03P05M	
		1005602207U	RESIBOOST MMW09UK/1VM03P05M	
		1005602208	RESIBOOST MMW09DE/1VM04P05M	
		1005602208U	RESIBOOST MMW09UK/1VM04P05M	
		1005602209	RESIBOOST MMW09DE/1VM05P05M	
		1005602209U	RESIBOOST MMW09UK/1VM05P05M	
		1005602210	RESIBOOST MMW09DE/1VM06P07M	
		1005602210U	RESIBOOST MMW09UK/1VM06P07M	
		1005602216	RESIBOOST MMW09DE/3VM02P05M	
		1005602216U	RESIBOOST MMW09UK/3VM02P05M	
		1005602217	RESIBOOST MMW09DE/3VM03P05M	
		1005602217U	RESIBOOST MMW09UK/3VM03P05M	
		1005602218	RESIBOOST MMW09DE/3VM04P05M	
		1005602218U	RESIBOOST MMW09UK/3VM04P05M	
		1005602219	RESIBOOST MMW09DE/3VM05P07M	
		1005602219U	RESIBOOST MMW09UK/3VM05P07M	
		1005602220	RESIBOOST MMW09DE/3VM06P09M	
		1005602220U	RESIBOOST MMW09UK/3VM06P09M	
		1005602226	RESIBOOST MMW09DE/5VM02P05M	
		1005602226U	RESIBOOST MMW09UK/5VM02P05M	
		1005602227	RESIBOOST MMW09DE/5VM03P05M	
		1005602227U	RESIBOOST MMW09UK/5VM03P05M	
		1005602228	RESIBOOST MMW09DE/5VM04P07M	
		1005602228U	RESIBOOST MMW09UK/5VM04P07M	
		1005602229	RESIBOOST MMW09DE/5VM05P09M	
		1005602229U	RESIBOOST MMW09UK/5VM05P09M	
		M/T	1005605206	RESIBOOST MTW10C/1VM02P03T
			1005605207	RESIBOOST MTW10C/1VM03P03T
	1005605208		RESIBOOST MTW10C/1VM04P04T	
	1005605209		RESIBOOST MTW10C/1VM05P05T	
	1005605210		RESIBOOST MTW10C/1VM06P07T	
	1005605216		RESIBOOST MTW10C/3VM02P03T	
	1005605217		RESIBOOST MTW10C/3VM03P04T	
	1005605218		RESIBOOST MTW10C/3VM04P05T	
	1005605219		RESIBOOST MTW10C/3VM05P07T	
	1005605226		RESIBOOST MTW10C/5VM02P04T	
	1005605227		RESIBOOST MTW10C/5VM03P05T	
	1005605228		RESIBOOST MTW10C/5VM04P11T	
	1005605229		RESIBOOST MTW10C/5VM05P11T	

PUMP	INPUT/OUTPUT	PART NUMBER	DESCRIPTION
BG 	M/M	1005602266	RESIBOOST MMW09DE/BGM3
		1005602266U	RESIBOOST MMW09UK/BGM3
		1005602267	RESIBOOST MMW09DE/BGM5
		1005602267U	RESIBOOST MMW09UK/BGM5
		1005602268	RESIBOOST MMW09DE/BGM7
		1005602268U	RESIBOOST MMW09UK/BGM7
		1005602269	RESIBOOST MMW09DE/BGM9
		1005602269U	RESIBOOST MMW09UK/BGM9
		1005602270	RESIBOOST MMW09DE/BGM11
		1005602270U	RESIBOOST MMW09UK/BGM11
	M/T	1005605266	RESIBOOST MTW10C/BG3
		1005605267	RESIBOOST MTW10C/BG5
		1005605268	RESIBOOST MTW10C/BG7
		1005605269	RESIBOOST MTW10C/BG9
1005605270	RESIBOOST MTW10C/BG11		

STANDALONE DRIVE

The right solution to upgrade the existing fixed speed systems.

PART NUMBER	DESCRIPTION	PLUG
109951510	RESIBOOST MTA06 DE	DE PLUG
109951530	RESIBOOST MMA06 DE	
109951540	RESIBOOST MMA12 DE	
109951550	RESIBOOST MMW09 DE	
109951570	RESIBOOST MTA06 UK	UK PLUG
109951580	RESIBOOST MMA06 UK	
109951590	RESIBOOST MMA12 UK	
109951600	RESIBOOST MMW09 UK	
109951610	RESIBOOST MTA06 AU	AU PLUG
109951620	RESIBOOST MMA06 AU	
109951630	RESIBOOST MMA12 AU	
109951640	RESIBOOST MMW09 AU	
109951560	RESIBOOST MTW10 C	WITHOUT PLUG
109951520	RESIBOOST MTA10 C	



**WATER COOLED
MMW/MTW**



**AIR COOLED
MMA/MTA**

ACCESSORIES

PART NUMBER	DESCRIPTION
002675036	Non return valve 1 1/4" M-F
002675200	Non return valve 1" M-M
106110550	Idrotuba 8 liters, 8 bar, connection Rp 1"
002110201	Pressure gauge 0-6 bar ø=50 mm
108328400	Level control panel QCL5 / 230, single phase 1 x230 V
159260310	Level regulator float Key, cable L = 10 m, w/ counterweight
159260220	Level regulator float Key, cable L = 5 m
159260230	Level regulator float Key, cable L = 5 m, w/ counterweight

MOTOR FILTERS

Motor filters are recommended for installations which foresee a motor cable longer than 20m (typically borehole applications).

PART NUMBER	TYPE	WEIGHT (KG)
002560660	Sinusoidal filter for single phase 1x230V, Inom 6A, IP64 protection	-
002560661	Sinusoidal filter for single phase 1x230V, Inom 12A, IP64 protection	2,88
002560664	Sinusoidal filter for three phase 3x230V, Inom 6A, IP64 protection	-
002560665	Sinusoidal filter for three phase 3x230V, Inom 12A, IP64 protection	-
002560666	dV/dt filter for three-phase 3x230V, Inom 6A, IP64 protec	-
002560667	dV/dt filter for three-phase 3x230V, Inom 12A, IP64 protection	-

HOW TO SELECT MOTOR FILTERS?

OUTPUT TYPE	OUTPUT CURRENT	MOTOR CABLE LENGTH		
		$l < 20\text{m}$	$20 \leq l \leq 100\text{m}$	$l > 100\text{m}$
N° of phases	A			
1 phase	6	not mandatory	002560660	002560660
1 phase	12	not mandatory	002560661	002560661
3 phase	6	not mandatory	002560666	002560664
3 phase	12	not mandatory	002560667	002560665

How to video.

Connect to our YouTube Channel to watch the new how-to video about the Xylem Lowara ResiBoost: easy installation and versatility for multiple residential applications.

The video shows installation and set-up of the Lowara ResiBoost mounted on a Lowara e-HM product.



Xylem |'zīləm|

- 1) The tissue in plants that brings water upward from the roots;
- 2) a leading global water technology company.

We're a global team unified in a common purpose: creating innovative solutions to meet our world's water needs. Developing new technologies that will improve the way water is used, conserved, and re-used in the future is central to our work. We move, treat, analyze, and return water to the environment, and we help people use water efficiently, in their homes, buildings, factories and farms. In more than 150 countries, we have strong, long-standing relationships with customers who know us for our powerful combination of leading product brands and applications expertise, backed by a legacy of innovation.

For more information on how Xylem can help you, go to www.xyleminc.com



Legal head office
Xylem Water Solutions Italia Srl

Via Gioacchino Rossini 1/A
20020 - Lainate (MI) - Italy
Tel. (+39) 02 90358.1
Fax (+39) 02 9019990
www.xylemwatersolutions.com

For information and technical support
Xylem Service Italia Srl

Via Dottor Vittorio Lombardi 14
36075 - Montecchio Maggiore (VI) - Italy
Tel. (+39) 0444 707111
Fax (+39) 0444 491043
www.lowara.com

Lowara, HYDROVAR, Xylect are trademarks or registered trademarks of Xylem Inc. or one of its subsidiaries.
All other trademarks or registered trademarks are property of their respective owners.

Xylem Water Solutions Italia Srl reserves the right to make modification without prior notice.
Lowara, Xylem are trademarks of Xylem Inc. or one of its subsidiaries. © 2016 Xylem, Inc.

cod. 191000621 - P04/16